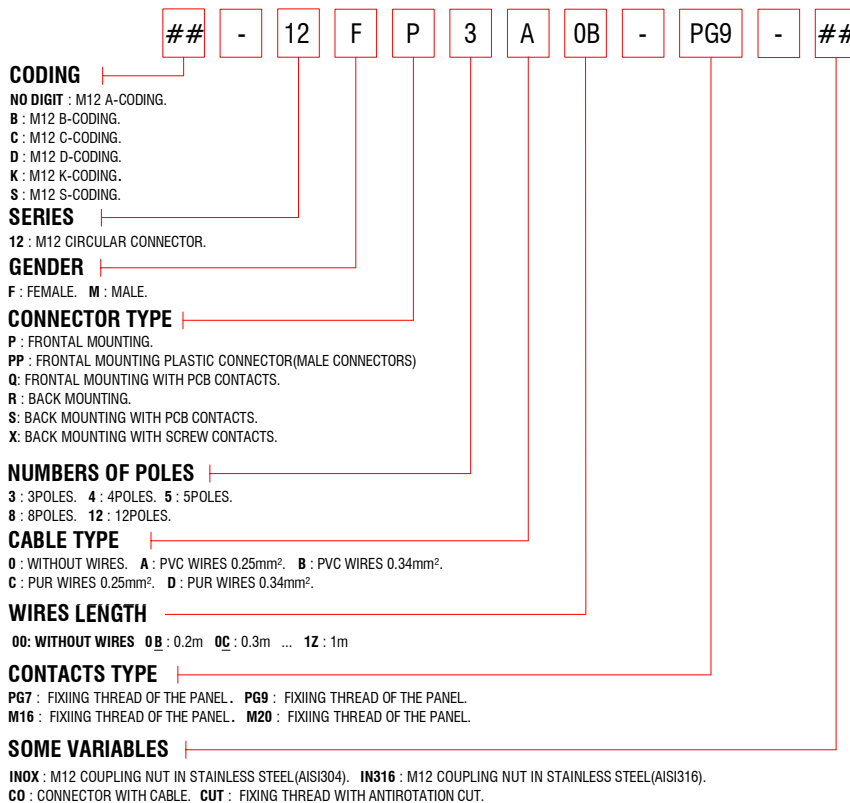


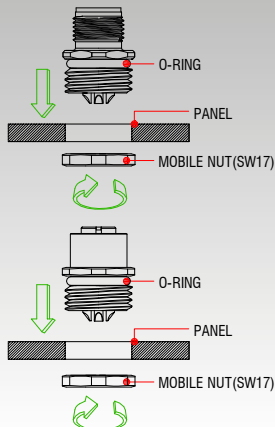
GENERAL FEATURES PANEL MOUNT CONNECTORS:

Conductor cross section : 0.14(26AWG)...0.50mm ² (20AWG).	Type of terminations : Solder wires. Solder PCB.	Housing material : Brass + Nickel plated PA66 (upon request). Stainless Steel AISI304 (upon request). Stainless Steel AISI316 (upon request).	Internal core material : PA66.	Operating temperature : -25°C +90°C
Fixing system : M12 coupling nut.	Contact material and treatment : Brass + Gold flash.		Flammability resistance : UL94-V2 - Standard.	
Max. screw torque IEC60947-1 M12 coupling nut torque 0.4N*m.			Protection class : IP 67 (assembled).	



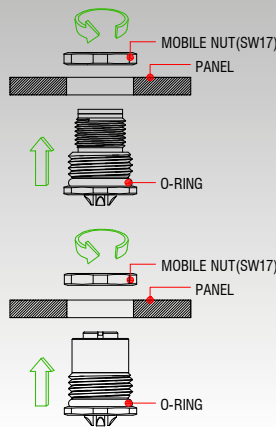
FRONT MOUNTING:

The type of mounting of the panel connector into the panel is defined with reference to the way the connector is mounted into the panel. In front mounting the mobile nut is in the back side towards the panel.



BACK MOUNTING:

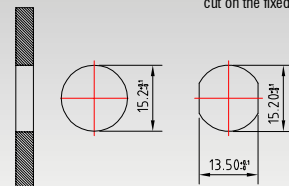
The type of mounting of the panel connector into the panel is defined with reference to the way the connector is mounted into the panel. In back mounting the mobile nut is in the front side towards the panel.



PANEL FEATURES:

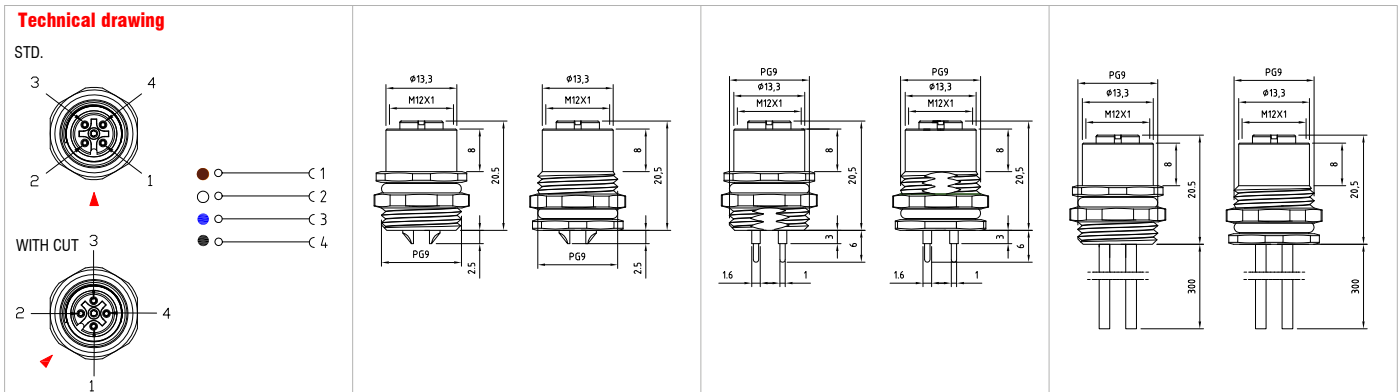
Suitable for standard connector.

* Suitable for connector with cut on the fixed thread.



M12 CIRCULAR CONNECTORS

Panel mount - A-coded



Product description						
Connector type	Circular connector panel mount		Circular connector panel mount		Circular connector panel mount	
Conforms to	IEC 61076-2-101		IEC 61076-2-101		IEC 61076-2-101	
Construction type	M12 A-Coded		M12 A -Coded		M12 A -Coded	
Description	Circular connector M12 series, panel mount		Circular connector M12 series to panel mount with contacts suitable for solder PCB.		Circular connector M12 series to panel mount with PVC soldered wires.	
Part number	12FP4000-PG9	12FR4000-PG9	12FQ4000-PG9-CUT	12FS4000-PG9-CUT	12FP4A0C-PG9	12FR4A0C-PG9
Housing type	Frontal panel side	Back panel side	Frontal panel side	Back panel side	Frontal panel side	Back panel side
Contacts type	Female		Female		Female	
Number of contacts	4poles		4poles		4poles	
Fixing thread	PG9		PG9 + CUT		PG9	
Cut size	-		13.3mm		-	

Technical data			
Type of termination	Contacts to solder wires		Contacts suitable for solder PCB
Contacts material	Brass + Gold flash		Brass + Gold flash
Housing material	Brass + Nickel plated		Brass + Nickel plated
Mobile nut material	Brass + Nickel plated (SW17)		Brass + Nickel plated (SW17)
M12 coupling nut torque	0.4 N*m		0.4 N*m
Rated voltage	250V AC / DC		250V AC / DC
Rated current	4A		4A
O-ring material	NBR		NBR
Cable type	-		PVC
No. Conductors / Section	-		4 x 0.25mm ²
Conductor colours	-		Brown; White; Blue; Black
Cable diameter	-		-
Cable length	-		0.3m

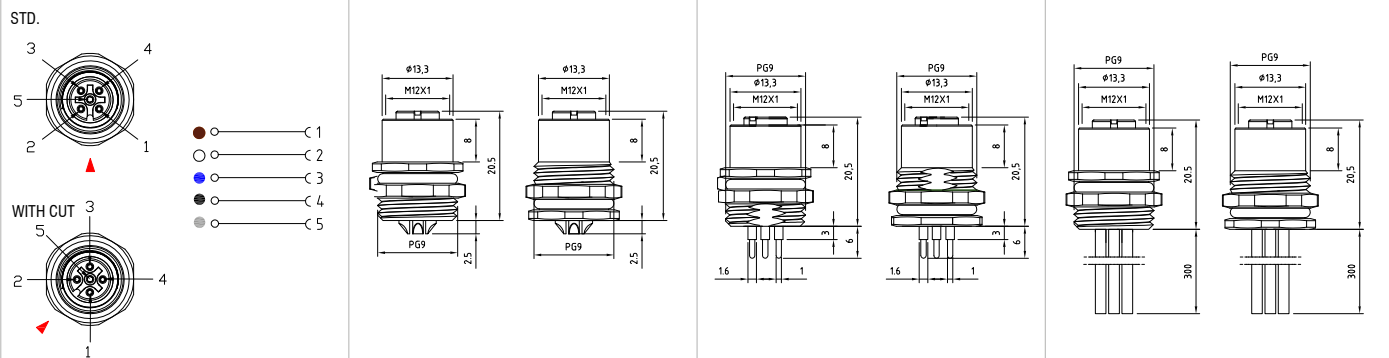
Packaging			
Qty/Bag	Not defined		Not defined

Other accessories options
See accessories section

Notes:
Connectors available with different features:
See the general features and codification scheme page
See the cables list section



Technical drawing



Product description						
Connector type	Circular connector panel mount		Circular connector panel mount		Circular connector panel mount	
Conforms to	IEC 61076-2-101		IEC 61076-2-101		IEC 61076-2-101	
Construction type	M12 A-Coded		M12 A-Coded		M12 A-Coded	
Description	Circular connector M12 series,panel mount		Circular connector M12 series,panel mount, with contacts suitable for solder PCB.		Circular connector M12 series,panel mount, with PVC soldered wires.	
Part number	12FP5000-PG9	12FR5000-PG9	12FQ5000-PG9-CUT	12FS5000-PG9-CUT	12FP5A0C-PG9	12FR5A0C-PG9
Housing type	Frontal panel side	Back panel side	Frontal panel side	Back panel side	Frontal panel side	Back panel side
Contacts type	Female		Female		Female	
Number of contacts	5poles		5poles		5poles	
Fixing thread	PG9		PG9 + CUT		PG9	
Cut size	-		13.3mm		-	

Technical data			
Type of termination	Contacts to solder wires	Contacts suitable for solder PCB	Contacts to solder wires
Contacts material	Brass + Gold flash	Brass + Gold flash	Brass + Gold flash
Coupling nut type	Brass + Nickel plated	Brass + Nickel plated	Brass + Nickel plated
Housing material	Brass + Nickel plated (SW17)	Brass + Nickel plated (SW17)	Brass + Nickel plated (SW17)
Mobile nut material	0.4 N*m	0.4 N*m	0.4 N*m
Rated voltage	60V AC / DC	60V AC / DC	60V AC / DC
Rated current	4A	4A	4A
O-ring material	NBR	NBR	NBR
Cable type	-	-	PVC
No. Conductors / Section	-	-	5 x 0.25mm ²
Conductor colours	-	-	Brown; White; Blue; Black; Grey
Cable diameter	-	-	-
Cable length	-	-	0.3m

Packaging			
Qty/Bag	Not defined	Not defined	Not defined

Other accessories options
See accessories section

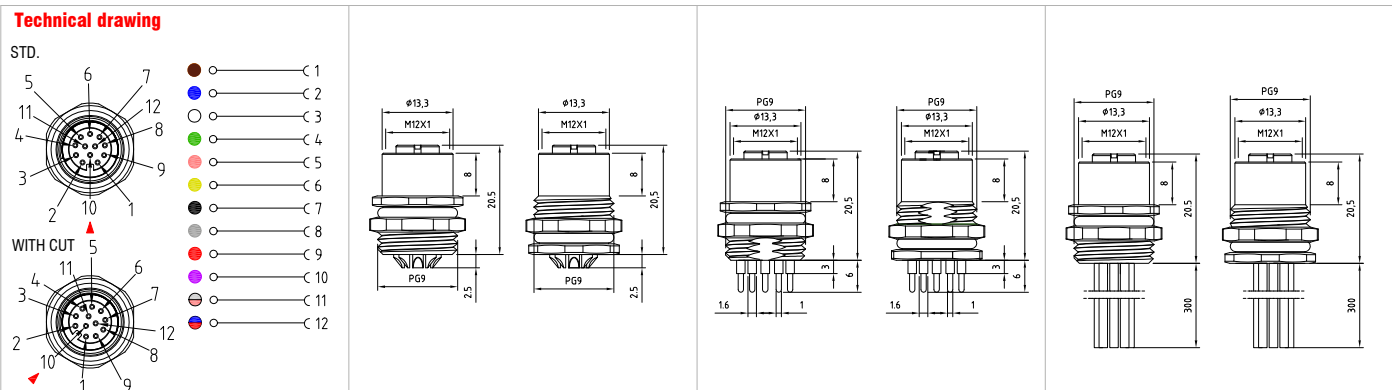
Notes:
Connectors available with different features:
See the general features and codification scheme page
See the cables list section

M12 CIRCULAR CONNECTORS

Panel mount - A-coded



Technical drawing							
<p>STD.</p> <p>WITH CUT</p>							
<p>Legend:</p> <ul style="list-style-type: none"> ○ C 1 ● C 2 ○ C 3 ● C 4 ○ C 5 ● C 6 ○ C 7 ● C 8 							
Product description							
Connector type	Circular connector panel mount		Circular connector panel mount		Circular connector panel mount		
Conforms to	IEC 61076-2-101		IEC 61076-2-101		IEC 61076-2-101		
Construction type	M12 A-Coded		M12 A-Coded		M12 A-Coded		
Description	Circular connector M12 series, panel mount		Circular connector M12 series to panel mount with contacts suitable for solder PCB.		Circular connector M12 series, panel mount with PVC soldered wires.		
Part number	12FP8000-PG9	12FR8000-PG9	12FQ8000-PG9-CUT	12FS8000-PG9-CUT	12FP8A0C-PG9	12FR8A0C-PG9	
Housing type	Frontal panel side	Back panel side	Frontal panel side	Back panel side	Frontal panel side	Back panel side	
Contacts type	Female		Female		Female		
Number of contacts	8poles		8poles		8poles		
Fixing thread	PG9		PG9 + CUT		PG9		
Cut size	-		13.3mm		-		
Technical data							
Type of termination	Contacts to solder wires		Contacts suitable for solder PCB		Contacts to solder wires		
Contacts material	Brass + Gold flash		Brass + Gold flash		Brass + Gold flash		
Housing material	Brass + Nickel plated		Brass + Nickel plated		Brass + Nickel plated		
Mobile nut material	Brass + Nickel plated (SW17)		Brass + Nickel plated (SW17)		Brass + Nickel plated (SW17)		
M12 coupling nut torque	0.4 N*m		0.4 N*m		0.4 N*m		
Rated voltage	30V AC/DC		30V AC/DC		30V AC/DC		
Rated current	2A		2A		2A		
O-ring material	NBR		NBR		NBR		
Cable type	-		-		PVC		
No. Conductors / Section	-		-		8 x 0.25mm ²		
Conductor colours	-		-		White; Brown; Green; Yellow; Grey; Pink; Blue; Red		
Cable diameter	-		-		-		
Cable length	-		-		0.3m		
Packaging							
Qty/Bag	Not defined		Not defined		Not defined		
Other accessories options							
See accessories section							
Notes:							
Connectors available with different features: See the general features and codification scheme page See the cables list section							



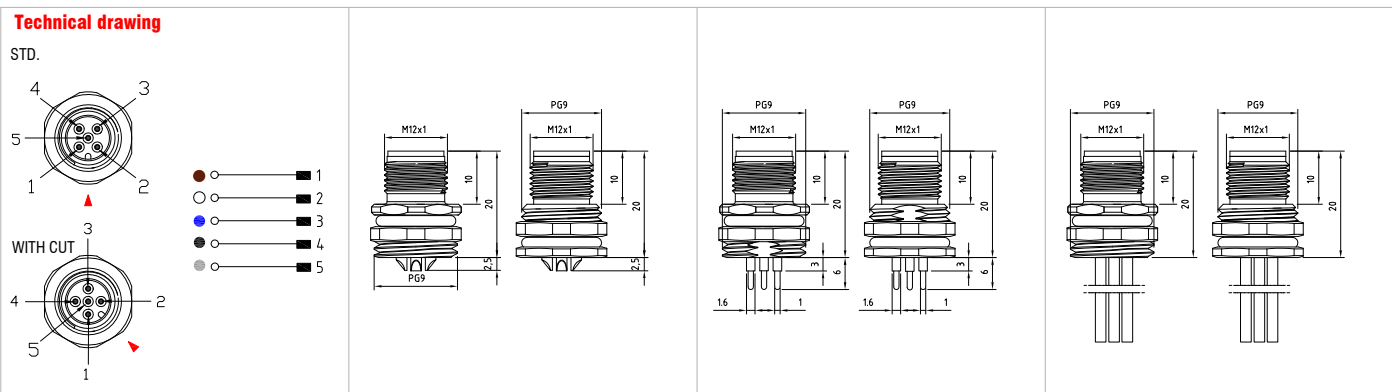
Product description						
Connector type	Circular connector panel mount		Circular connector panel mount		Circular connector panel mount	
Conforms to	IEC 61076-2-101		IEC 61076-2-101		IEC 61076-2-101	
Construction type	M12 A-Coded		M12 A-Coded		M12 A-Coded	
Description	Circular connector M12 series, panel mount		Circular connector M12 series to panel mount with contacts suitable for solder PCB.		Circular connector M12 series, panel mount with PVC soldered wires.	
Part number	12FP12000-PG9	12FR12000-PG9	12FQ12000-PG9-CUT	12FS12000-PG9-CUT	12FP12K0C-PG9	12FR12K0C-PG9
Housing type	Frontal panel side	Back panel side	Frontal panel side	Back panel side	Frontal panel side	Back panel side
Contacts type	Female		Female		Female	
Number of contacts	12poles		12poles		12poles	
Fixing thread	PG9		PG9 + CUT		PG9	
Cut size	-		13.3mm		-	
Technical data						
Type of termination	Contacts to solder wires		Contacts suitable for solder PCB		Contacts to solder wires	
Contacts material	Brass + Gold flash		Brass + Gold flash		Brass + Gold flash	
Housing material	Brass + Nickel plated		Brass + Nickel plated		Brass + Nickel plated	
Mobile nut material	Brass + Nickel plated (SW17)		Brass + Nickel plated (SW17)		Brass + Nickel plated (SW17)	
M12 coupling nut torque	0.4 N*m		0.4 N*m		0.4 N*m	
Rated voltage	30V AC / DC		30V AC / DC		30V AC / DC	
Rated current	1,5A		1,5A		1,5A	
O-ring material	NBR		NBR		NBR	
Cable type	-		-		PVC	
No. Conductors / Section	-		-		12 x 0.14mm ²	
Conductor colours	-		-		Bn; Bu; Wh; Gn; Pk; Ye; Bk; Gy; Rd; Vt; Pk; Gy; Rd; Bu	
Cable diameter	-		-		-	
Cable length	-		-		0.3m	
Packaging						
Qty/Bag	Not defined		Not defined		Not defined	
Other accessories options						
See accessories section						
Notes:						
Connectors available with different features: See the general features and codification scheme page See the cables list section						

M12 CIRCULAR CONNECTORS

Panel mount - A-coded



Technical drawing		Technical drawing		Technical drawing		Technical drawing	
<p>STD.</p> <p>WITH CUT</p>							
Product description							
Connector type	Circular connector panel mount		Circular connector panel mount		Circular connector panel mount		
Conforms to	IEC 61076-2-101		IEC 61076-2-101		IEC 61076-2-101		
Construction type	M12 A-Coded		M12 A-Coded		M12 A-Coded		
Description	Circular connector M12 series,panel mount		Circular connector M12 series to panel mount with contacts suitable for solder PCB.		Circular connector M12 series,panel mount with PVC soldered wires.		
Part number	12MP4000-PG9	12MR4000-PG9	12MQ4000-PG9-CUT	12MS4000-PG9-CUT	12MP4A0C-PG9	12MR4A0C-PG9	
Housing type	Frontal panel side	Back panel side	Frontal panel side	Back panel side	Frontal panel side	Back panel side	
Contacts type	Male		Male		Male		
Number of contacts	4poles		4poles		4poles		
Fixing thread	PG9		PG9 + CUT		PG9		
Cut size	-		13.3mm		-		
Technical data							
Type of termination	Contacts to solder wires		Contacts suitable for solder PCB		Contacts to solder wires		
Contacts material	Brass + Gold flash		Brass + Gold flash		Brass + Gold flash		
Housing material	Brass + Nickel plated		Brass + Nickel plated		Brass + Nickel plated		
Mobile nut material	Brass + Nickel plated (SW17)		Brass + Nickel plated (SW17)		Brass + Nickel plated (SW17)		
M12 coupling nut torque	0.4 N*m		0.4 N*m		0.4 N*m		
Rated voltage	250V AC / DC		250V AC / DC		250V AC / DC		
Rated current	4A		4A		4A		
O-ring material	NBR		NBR		NBR		
Cable type	-		-		PVC		
No. Conductors / Section	-		-		4 x 0.25mm ²		
Conductor colours	-		-		Brown; White; Blue; Black		
Cable diameter	-		-		-		
Cable length	-		-		0.3m		
Packaging							
Qty/Bag	Not defined		Not defined		Not defined		
Other accessories options							
See accessories section							
Notes:							
Connectors available with different features: See the general features and codification scheme page See the cables list section							



Product description						
Connector type	Circular connector panel mount		Circular connector panel mount		Circular connector panel mount	
Conforms to	IEC 61076-2-101		IEC 61076-2-101		IEC 61076-2-101	
Construction type	M12 A-Coded		M12 A-Coded		M12 A-Coded	
Description	Circular connector M12 series, panel mount		Circular connector M12 series to panel mount with contacts suitable for solder PCB.		Circular connector M12 series, panel mount with PVC soldered wires.	
Part number	12MP5000-PG9	12MR5000-PG9	12MQ5000-PG9-CUT	12MS5000-PG9-CUT	12MP5A0C-PG9	12MR5A0C-PG9
Housing type	Frontal panel side	Back panel side	Frontal panel side	Back panel side	Frontal panel side	Back panel side
Contacts type	Male		Male		Male	
Number of contacts	5poles		5poles		5poles	
Fixing thread	PG9		PG9 + CUT		PG9	
Cut size	-		13.3mm		-	

Technical data			
Type of termination	Contacts to solder wires		Contacts suitable for solder PCB
Housing material	Brass + Gold flash		Brass + Gold flash
Mobile nut material	Brass + Nickel plated		Brass + Nickel plated
M12 coupling nut material	Brass + Nickel plated (SW17)		Brass + Nickel plated (SW17)
M12 coupling nut torque	0.4 N*m		0.4 N*m
Rated voltage	60V AC / DC		60V AC / DC
Rated current	4A		4A
O-ring material	NBR		NBR
Cable type	-		PVC
No. Conductors / Section	-		5 x 0.25mm ²
Conductor colours	-		Brown; White; Blue; Black; Grey
Cable diameter	-		-
Cable length	-		0.3m

Packaging			
Qty/Bag	Not defined		Not defined

Other accessories options
See accessories section

Notes:
Connectors available with different features:
See the general features and codification scheme page
See the cables list section

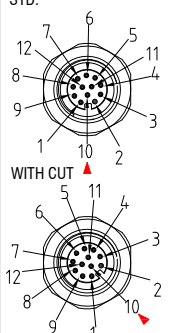
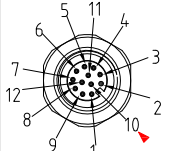
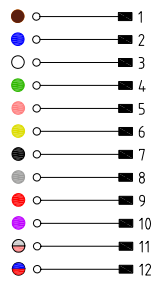
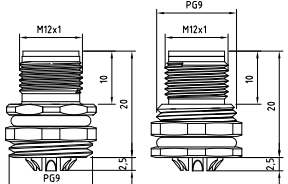
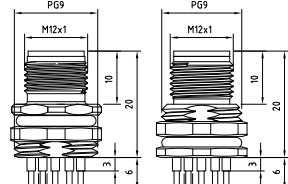
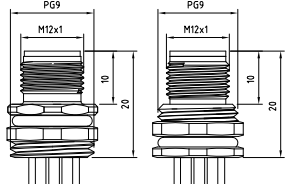
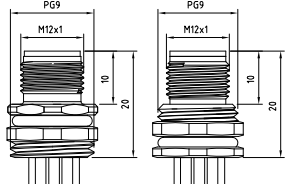
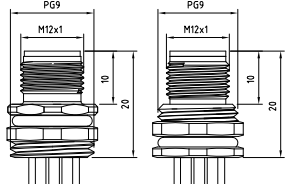
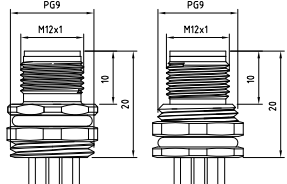
M12 CIRCULAR CONNECTORS

Panel mount - A-coded



Technical drawing							
<p>STD.</p> <p>WITH CUT</p>							
<p>Legend:</p> <ul style="list-style-type: none"> ○ 1 ● 2 ○ 3 ● 4 ○ 5 ● 6 ○ 7 ● 8 							
Product description							
Connector type	Circular connector panel mount		Circular connector panel mount		Circular connector panel mount		
Conforms to	IEC 61076-2-101		IEC 61076-2-101		IEC 61076-2-101		
Construction type	M12 A-Coded		M12 A-Coded		M12 A -Coded		
Description	Circular connector M12 series,panel mount		Circular connector M12 series to panel mount with contacts suitable for solder PCB.		Circular connector M12 series,panel mount with PVC soldered wires.		
Part number	12MP8000-PG9	12MR8000-PG9	12MQ8000-PG9-CUT	12MS8000-PG9-CUT	12MP8A0C-PG9	12MR8A0C-PG9	
Housing type	Frontal panel side	Back panel side	Frontal panel side	Back panel side	Frontal panel side	Back panel side	
Contacts type	Male		Male		Male		
Number of contacts	8poles		8poles		8poles		
Fixing thread	PG9		PG9 + CUT		PG9		
Cut size	-		13.3mm		-		
Technical data							
Type of termination	Contacts to solder wires		Contacts suitable for solder PCB		Contacts to solder wires		
Contacts material	Brass + Gold flash		Brass + Gold flash		Brass + Gold flash		
Housing material	Brass + Nickel plated		Brass + Nickel plated		Brass + Nickel plated		
Mobile nut material	Brass + Nickel plated (SW17)		Brass + Nickel plated (SW17)		Brass + Nickel plated (SW17)		
M12 coupling nut torque	0.4 N*m		0.4 N*m		0.4 N*m		
Rated voltage	30V AC/DC		30V AC/DC		30V AC/DC		
Rated current	2A		2A		2A		
O-ring material	NBR		NBR		NBR		
Cable type	-		-		PVC		
No. Conductors / Section	-		-		8 x 0.25mm ²		
Conductor colours	-		-		White;Brown;Green;Yellow;Grey;Pink;Blue;Red		
Cable diameter	-		-		-		
Cable length	-		-		0.3m		
Packaging							
Qty/Bag	Not defined		Not defined		Not defined		
Other accessories options							
See accessories section							
Notes:							
Connectors available with different features: See the general features and codification scheme page See the cables list section							



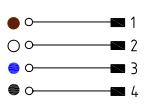
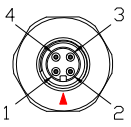
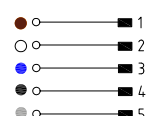
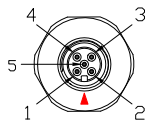
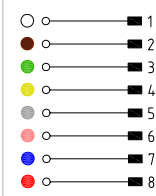
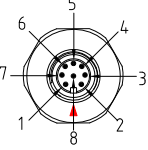
Technical drawing							
STD.  WITH CUT 							

Product description						
Connector type	Circular connector panel mount		Circular connector panel mount		Circular connector panel mount	
Conforms to	IEC 61076-2-101		IEC 61076-2-101		IEC 61076-2-101	
Construction type	M12 A-Coded		M12 A-Coded		M12 A-Coded	
Description	Circular connector M12 series, panel mount		Circular connector M12 series to panel mount with contacts suitable for solder PCB.		Circular connector M12 series, panel mount with PVC soldered wires.	
Part number	12MP12000-PG9	12MR12000-PG9	12MQ12000-PG9-CUT	12MS12000-PG9-CUT	12MP12K0C-PG9	12MR12K0C-PG9
Housing type	Frontal panel side	Back panel side	Frontal panel side	Back panel side	Frontal panel side	Back panel side
Contacts type	Male		Male		Male	
Number of contacts	12poles		12poles		12poles	
Fixing thread	PG9		PG9 + CUT		PG9	
Cut size	-		13.3mm		-	
Technical data						
Type of termination	Contacts to solder wires		Contacts suitable for solder PCB		Contacts to solder wires	
Contacts material	Brass + Gold flash		Brass + Gold flash		Brass + Gold flash	
Housing material	Brass + Nickel plated		Brass + Nickel plated		Brass + Nickel plated	
Mobile nut material	Brass + Nickel plated (SW17)		Brass + Nickel plated (SW17)		Brass + Nickel plated (SW17)	
M12 coupling nut torque	0.4 N*m		0.4 N*m		0.4 N*m	
Rated voltage	30V AC / DC		30V AC / DC		30V AC / DC	
Rated current	1,5A		1,5A		1,5A	
O-ring material	NBR		NBR		NBR	
Cable type	-		-		PVC	
No. Conductors / Section	-		-		12 x 0.14mm ²	
Conductor colours	-		-		Bn; Bu; Wh; Gn; Pk; Ye; Bk; Gy; Rd; Vt; Pk; Gy; Rd; Bu	
Cable diameter	-		-		-	
Cable length	-		-		0.3m	
Packaging						
Qty/Bag	Not defined		Not defined		Not defined	
Other accessories options						
See accessories section						
Notes:						
Connectors available with different features: See the general features and codification scheme page See the cables list section						

M12 CIRCULAR CONNECTORS

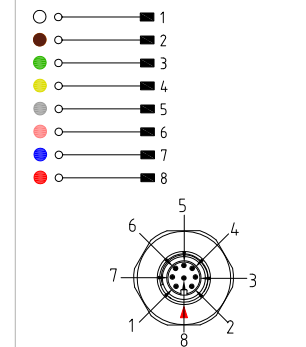
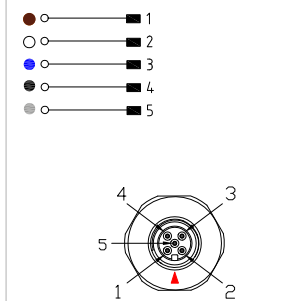
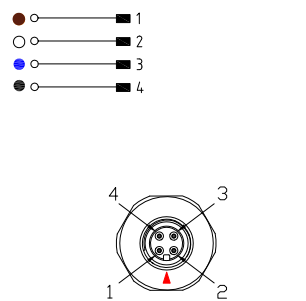
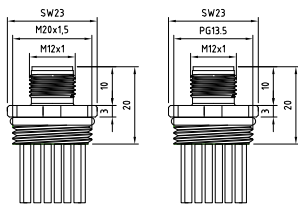
Panel mount - A-coded



Technical drawing		 		 		 	
Product description							
Connector type	Circular connector panel mount		Circular connector panel mount		Circular connector panel mount		
Conforms to	IEC 61076-2-101		IEC 61076-2-101		IEC 61076-2-101		
Construction type	M12 A-Coded		M12 A-Coded		M12 A-Coded		
Description	Circular connector M12 series, panel mount, with PVC soldered wires		Circular connector M12 series, panel mount, with PVC soldered wires		Circular connector M12 series, panel mount, with PVC soldered wires		
Part number	12MP4A0C-PG13.5	12MP4A0C-M20	12MP5A0C-PG13.5	12MP5A0C-M20	12MP8A0C-PG13.5	12MP8A0C-M20	
Housing type	Frontal panel side		Frontal panel side		Frontal panel side		
Contacts type	Male		Male		Male		
Number of contacts	4poles		5poles		8poles		
Fixing thread	PG13.5	M20x1.5	PG13.5	M20x1.5	PG13.5	M20x1.5	
Cut size	-		-		-		
Technical data							
Type of termination	Contacts to solder wires		Contacts to solder wires		Contacts to solder wires		
Contacts material	Brass + Gold flash		Brass + Gold flash		Brass + Gold flash		
Housing material	Brass + Nickel plated		Brass + Nickel plated		Brass + Nickel plated		
Mobile coupling nut material	Brass + Nickel plated (SW22)		Brass + Nickel plated (SW22)		Brass + Nickel plated (SW22)		
M12 coupling nut torque	0.4 N*m		0.4 N*m		0.4 N*m		
Rated voltage	250V AC / DC		60V AC / DC		30V AC / DC		
Rated current	4A		4A		2A		
O-ring material	NBR		NBR		NBR		
Cable type	PVC		PVC		PVC		
No. Conductors / Section	4 x 0.25mm ²		5 x 0.25mm ²		8 x 0.25mm ²		
Conductor colours	Brown; White; Blue; Black		Brown; White; Blue; Black; Grey		White; Brown; Green; Yellow; Grey; Pink; Blue; Red		
Cable diameter	-		-		-		
Cable length	0.3m		0.3m		0.3m		
Packaging							
Qty/Bag	Not defined		Not defined		Not defined		
Other accessories options							
See accessories section							
Notes:							
Connectors available with different features: See the general features and codification scheme page See the cables list section							



Technical drawing



Product description

Connector type	Circular connector panel mount		Circular connector panel mount		Circular connector panel mount	
Conforms to	IEC 61076-2-101		IEC 61076-2-101		IEC 61076-2-101	
Construction type	M12 A-Coded		M12 A-Coded		M12 A-Coded	
Description	Circular connector M12 series, panel mount, plastic material, with PVC soldered wires		Circular connector M12 series, panel mount, plastic material, with PVC soldered wires		Circular connector M12 series, panel mount, plastic material, with PVC soldered wires	
Part number	12MPP4A0C-PG13.5	12MPP4A0C-M20	12MPP5A0C-PG13.5	12MPP5A0C-M20	12MPP8A0C-PG13.5	12MPP8A0C-M20
Housing type	Frontal panel side		Frontal panel side		Frontal panel side	
Contacts type	Male		Male		Male	
Number of contacts	4poles		5poles		8poles	
Fixing thread	PG13.5	M20x1.5	PG13.5	M20x1.5	PG13.5	M20x1.5
Fixed nut size	SW23		SW23		SW23	

Technical data

Type of termination	Contacts to solder wires		Contacts to solder wires		Contacts to solder wires	
Contacts material	Brass + Gold flash		Brass + Gold flash		Brass + Gold flash	
Housing material	PA66		PA66		PA66	
Mobile coupling nut material	-		-		-	
M12 coupling nut torque	0.4 N*m		0.4 N*m		0.4 N*m	
Rated voltage	250V AC / DC		60V AC / DC		30V AC / DC	
Rated current	4A		4A		2A	
O-ring material	NBR		NBR		NBR	
Cable type	PVC		PVC		PVC	
No. Conductors / Section	4 x 0.25mm ²		5 x 0.25mm ²		8 x 0.25mm ²	
Conductor colours	Brown; White; Blue; Black		Brown; White; Blue; Black; Grey		White; Brown; Green; Yellow; Grey; Pink; Blue; Red	
Cable diameter	-		-		-	
Cable length	0.3m		0.3m		0.3m	

Packaging

Qty/Bag	Not defined		Not defined		Not defined	
---------	-------------	--	-------------	--	-------------	--

Other accessories options

See accessories section

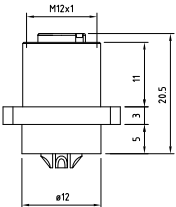
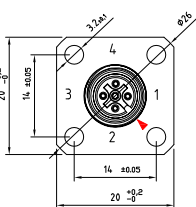
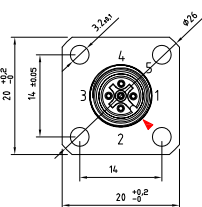
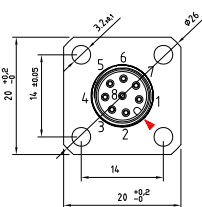
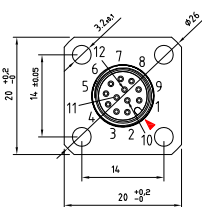
Notes:

Connectors available with different features:
See the general features and codification scheme page
See the cables list section

M12 CIRCULAR CONNECTORS

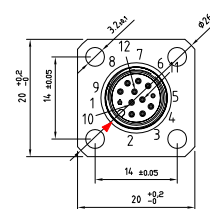
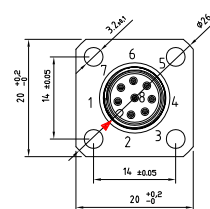
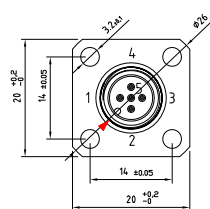
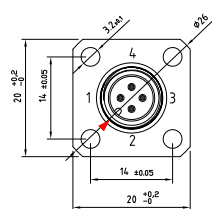
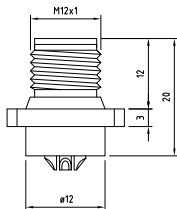
Panel mount - A-coded



Technical drawing				
				
Product description				
Connector type	Circular connector panel mount	Circular connector panel mount	Circular connector panel mount	Circular connector panel mount
Conforms to	IEC 61076-2-101	IEC 61076-2-101	IEC 61076-2-101	IEC 61076-2-101
Construction type	M12 A-Coded	M12 A-Coded	M12 A-Coded	M12 A-Coded
Description	Circular connector M12 series, panel mount with FLANGE	Circular connector M12 series, panel mount with FLANGE	Circular connector M12 series, panel mount with FLANGE	Circular connector M12 series, panel mount with FLANGE
Part number	12FP4000-FL	12FP5000-FL	12FP8000-FL	12FP12000-FL
Housing type	Frontal panel side	Frontal panel side	Frontal panel side	Frontal panel side
Contacts type	Female	Female	Female	Female
Number of contacts	4poles	5poles	8poles	12poles
Fixing thread	-	-	-	-
Cut size	-	-	-	-
Technical data				
Type of termination	Contacts to solder wires	Contacts to solder wires	Contacts to solder wires	Contacts to solder wires
Contacts material	Brass + Gold flash	Brass + Gold flash	Brass + Gold flash	Brass + Gold flash
Housing material	Brass + Nickel plated	Brass + Nickel plated	Brass + Nickel plated	Brass + Nickel plated
Mobile nut material	-	-	-	-
M12 coupling nut torque	0.4 N*m	0.4 N*m	0.4 N*m	0.4 N*m
Rated voltage	250V AC/DC	60V AC/DC	30V AC/DC	30V AC/DC
Rated current	4A	4A	2A	1.5A
O-ring material	-	-	-	-
Cable type	-	-	-	-
No. Conductors / Section	-	-	-	-
Conductor colours	-	-	-	-
Cable diameter	-	-	-	-
Cable length	-	-	-	-
Packaging				
Qty/Bag	Not defined	Not defined	Not defined	Not defined
Other accessories options				
See accessories section				
Notes:				
Connectors available with different features: See the general features and codification scheme page See the cables list section				



Technical drawing



Product description

Connector type	Circular connector panel mount	Circular connector panel mount	Circular connector panel mount	Circular connector panel mount
Conforms to	IEC 61076-2-101	IEC 61076-2-101	IEC 61076-2-101	IEC 61076-2-101
Construction type	M12 A-Coded	M12 A-Coded	M12 A-Coded	M12 A-Coded
Description	Circular connector M12 series, panel mount with FLANGE	Circular connector M12 series, panel mount with FLANGE	Circular connector M12 series, panel mount with FLANGE	Circular connector M12 series, panel mount with FLANGE
Part number	12MP4000-FL	12MP5000-FL	12MP8000-FL	12MP12000-FL
Housing type	Frontal panel side	Frontal panel side	Frontal panel side	Frontal panel side
Contacts type	Male	Male	Male	Male
Number of contacts	4poles	5poles	8poles	12poles
Fixing thread	-	-	-	-
Cut size	-	-	-	-

Technical data

Type of termination	Contacts to solder wires	Contacts to solder wires	Contacts to solder wires	Contacts to solder wires
Contacts material	Brass + Gold flash	Brass + Gold flash	Brass + Gold flash	Brass + Gold flash
Housing material	Brass + Nickel plated	Brass + Nickel plated	Brass + Nickel plated	Brass + Nickel plated
Mobile nut material	-	-	-	-
M12 coupling nut torque	0.4 N*m	0.4 N*m	0.4 N*m	0.4 N*m
Rated voltage	250V AC/DC	60V AC/DC	30V AC/DC	30V AC/DC
Rated current	4A	4A	2A	1.5A
O-ring material	-	-	-	-
Cable type	-	-	-	-
No. Conductors / Section	-	-	-	-
Conductor colours	-	-	-	-
Cable diameter	-	-	-	-
Cable length	-	-	-	-

Packaging

Qty/Bag	Not defined	Not defined	Not defined	Not defined
---------	-------------	-------------	-------------	-------------

Other accessories options

See accessories section

Notes:

Connectors available with different features:
See the general features and codification scheme page
See the cables list section

M12 CIRCULAR CONNECTORS

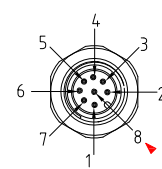
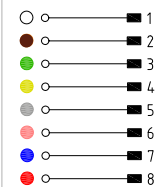
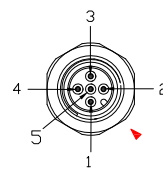
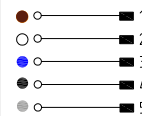
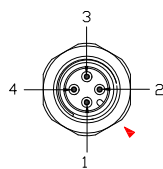
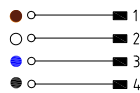
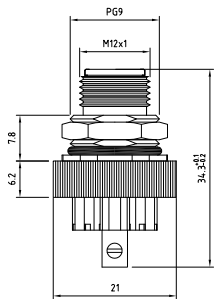
Panel mount - A-coded



Technical drawing		 	 	
Product description				
Connector type	Circular connector panel mount	Circular connector panel mount	Circular connector panel mount	
Conforms to	IEC 61076-2-101	IEC 61076-2-101	IEC 61076-2-101	
Construction type	M12 A-Coded	M12 A-Coded	M12 A-Coded	
Description	Circular connector M12 series, panel mount, with screw contacts	Circular connector M12 series, panel mount, with screw contacts	Circular connector M12 series, panel mount, with screw contacts	
Part number	12FX4000-PG9-CUT	12FX5000-PG9-CUT	12FX8000-PG9-CUT	
Housing type	Back panel side	Back panel side	Back panel side	
Contacts type	Female	Female	Female	
Number of contacts	4poles	5poles	8poles	
Fixing thread	PG9	PG9	PG9	
Cut size	13.3mm	13.3mm	13.3mm	
Technical data				
Type of termination	Screw contacts	Screw contacts	Screw contacts	
Contact screw torque	0.2 N*m	0.2 N*m	0.2 N*m	
Contacts material	Brass+Gold flash	Brass+Gold flash	Brass+Gold flash	
Housing material	Brass+Nickel plated	Brass+Nickel plated	Brass+Nickel plated	
Mobile nut material	Brass+Nickel plated (SW17)	Brass+Nickel plated (SW17)	Brass+Nickel plated (SW17)	
M12 coupling nut torque	0.4 N*m	0.4 N*m	0.4 N*m	
Rated voltage	250V AC / DC	60V AC / DC	30V AC / DC	
Rated current	4A	4A	2A	
O-ring material	NBR	NBR	NBR	
Conductors cross section	From 0.14(26AWG) to 0.50mm ² (20AWG)	From 0.14(26AWG) to 0.50mm ² (20AWG)	From 0.14(26AWG) to 0.50mm ² (20AWG)	
Packaging				
Qty/Bag	Not defined	Not defined	Not defined	
Other accessories options				
See accessories section				
Notes:				
Connectors available with different features: See the general features and codification scheme page See the cables list section				



Technical drawing



Product description

Connector type	Circular connector panel mount	Circular connector panel mount	Circular connector panel mount
Conforms to	IEC 61076-2-101	IEC 61076-2-101	IEC 61076-2-101
Construction type	M12 A-Coded	M12 A-Coded	M12 A-Coded
Description	Circular connector M12 series, panel mount, with screw contacts	Circular connector M12 series, panel mount, with screw contacts	Circular connector M12 series, panel mount, with screw contacts
Part number	12MX4000-PG9-CUT	12MX5000-PG9-CUT	12MX8000-PG9-CUT
Housing type	Back panel side	Back panel side	Back panel side
Contacts type	Male	Male	Male
Number of contacts	4poles	5poles	8poles
Fixing thread	PG9	PG9	PG9
Cut size	13.3mm	13.3mm	13.3mm

Technical data

Type of termination	Screw contacts	Screw contacts	Screw contacts
Contact screw torque	0.2 N*m	0.2 N*m	0.2 N*m
Contacts material	Brass + Gold flash	Brass + Gold flash	Brass + Gold flash
Housing material	Brass + Nickel plated	Brass + Nickel plated	Brass + Nickel plated
Mobile nut material	Brass + Nickel plated (SW17)	Brass + Nickel plated (SW17)	Brass + Nickel plated (SW17)
M12 coupling nut torque	0.4 N*m	0.4 N*m	0.4 N*m
Rated voltage	250V AC / DC	60V AC / DC	30V AC / DC
Rated current	4A	4A	2A
O-ring material	NBR	NBR	NBR
Conductors cross section	From 0.14(26AWG) to 0.50mm ² (20AWG)	From 0.14(26AWG) to 0.50mm ² (20AWG)	From 0.14(26AWG) to 0.50mm ² (20AWG)

Packaging

Qty/Bag	Not defined	Not defined	Not defined
---------	-------------	-------------	-------------

Other accessories options

See accessories section

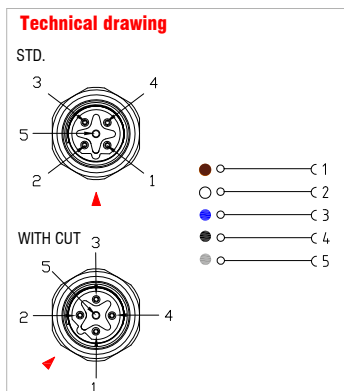
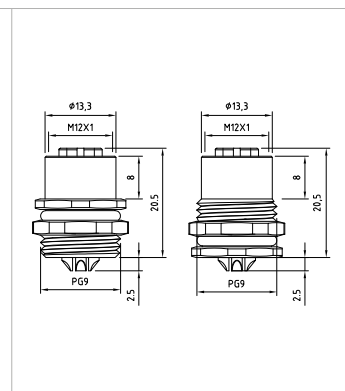
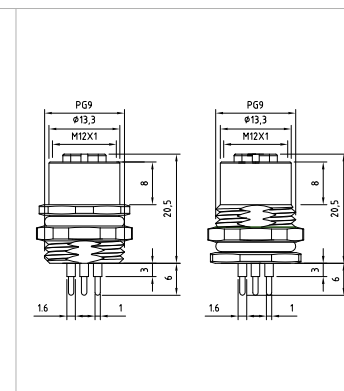
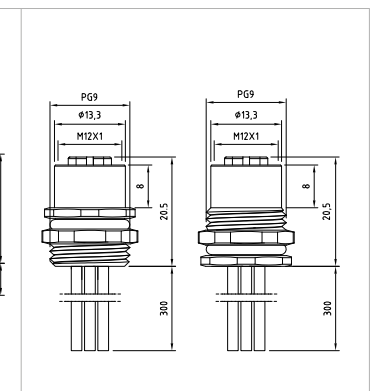
Notes:

Connectors available with different features:
See the general features and codification scheme page
See the cables list section

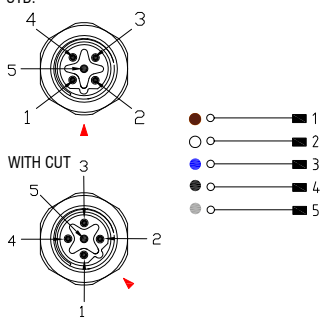
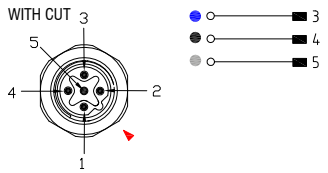
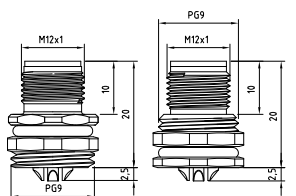
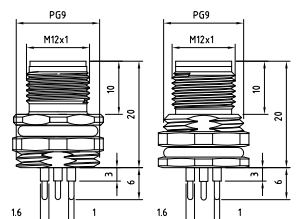
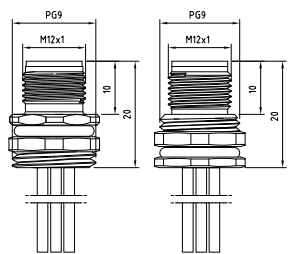
M12 CIRCULAR CONNECTORS

Panel mount - B-coded



Technical drawing							
							
Product description							
Connector type	Circular connector panel mount		Circular connector panel mount		Circular connector panel mount		
Conforms to	IEC 61076-2-101		IEC 61076-2-101		IEC 61076-2-101		
Construction type	M12 B-Coded		M12 B-Coded		M12 B-Coded		
Description	Circular connector M12 series, B-coded, panel mount		Circular connector M12 series B-coded, panel mount, with contacts suitable for solder PCB.		Circular connector M12 series B-coded, panel mount, with PVC soldered wires.		
Part number	B-12FP5000-PG9	B-12FR5000-PG9	B-12FQ5000-PG9-CUT	B-12FS5000-PG9-CUT	B-12FP5A0C-PG9	B-12FR5A0C-PG9	
Housing type	Frontal panel side	Back panel side	Frontal panel side	Back panel side	Frontal panel side	Back panel side	
Cable gland	Female		Female		Female		
Contacts type	5poles		5poles		5poles		
Fixing thread	PG9		PG9 + CUT		PG9		
Cut size	-		13.3mm		-		
Technical data							
Type of termination	Contacts to solder wires		Contacts suitable for solder PCB		Contacts to solder wires		
Contacts material	Brass + Gold flash		Brass + Gold flash		Brass + Gold flash		
Coupling nut type	Brass + Nickel plated		Brass + Nickel plated		Brass + Nickel plated		
M12 coupling nut material	Brass + Nickel plated (SW17)		Brass + Nickel plated (SW17)		Brass + Nickel plated (SW17)		
M12 coupling nut torque	0.4 N*m		0.4 N*m		0.4 N*m		
Rated voltage	60V AC / DC		60V AC / DC		60V AC / DC		
Rated current	4A		4A		4A		
O-ring material	NBR		NBR		NBR		
Cable type	-		-		PVC		
No. Conductors / Section	-		-		5 x 0.25mm ²		
Conductor colours	-		-		Brown; White; Blue; Black; Grey		
Cable diameter	-		-		-		
Cable length	-		-		0.3m		
Packaging							
Qty/Bag	Not defined		Not defined		Not defined		
Other accessories options							
See accessories section							
Notes:							
Connectors available with different features: See the general features and codification scheme page See the cables list section							



Technical drawing			
<p>STD.</p>  <p>WITH CUT</p> 			

Product description	Circular connector panel mount		Circular connector panel mount		Circular connector panel mount	
Connector type	Circular connector panel mount		Circular connector panel mount		Circular connector panel mount	
Conforms to	IEC 61076-2-101		IEC 61076-2-101		IEC 61076-2-101	
Construction type	M12 B-Coded		M12 B-Coded		M12 B-Coded	
Description	Circular connector M12 series, B-coded, panel mount		Circular connector M12 series B-coded, panel mount, with contacts suitable for solder PCB.		Circular connector M12 series B-coded, panel mount, with PVC soldered wires.	
Part number	B-12MP5000-PG9	B-12MR5000-PG9	B-12MQ5000-PG9-CUT	B-12MS5000-PG9-CUT	B-12MP5A0C-PG9	B-12MR5A0C-PG9
Housing type	Frontal panel side	Back panel side	Frontal panel side	Back panel side	Frontal panel side	Back panel side
Cable gland	Male		Male		Male	
Contacts type	5poles		5poles		5poles	
Fixing thread	PG9		PG9 + CUT		PG9	
Cut size	-		13.3mm		-	

Technical data	Contacts to solder wires		Contacts suitable for solder PCB		Contacts to solder wires	
Type of termination	Contacts to solder wires		Contacts suitable for solder PCB		Contacts to solder wires	
Contacts material	Brass + Gold flash		Brass + Gold flash		Brass + Gold flash	
Coupling nut type	Brass + Nickel plated		Brass + Nickel plated		Brass + Nickel plated	
M12 coupling nut material	Brass + Nickel plated (SW17)		Brass + Nickel plated (SW17)		Brass + Nickel plated (SW17)	
M12 coupling nut torque	0.4 N*m		0.4 N*m		0.4 N*m	
Rated voltage	60V AC / DC		60V AC / DC		60V AC / DC	
Rated current	4A		4A		4A	
O-ring material	NBR		NBR		NBR	
Cable type	-		-		PVC	
No. Conductors / Section	-		-		5 x 0.25mm ²	
Conductor colours	-		-		Brown; White; Blue; Black; Grey	
Cable diameter	-		-		-	
Cable length	-		-		0.3m	

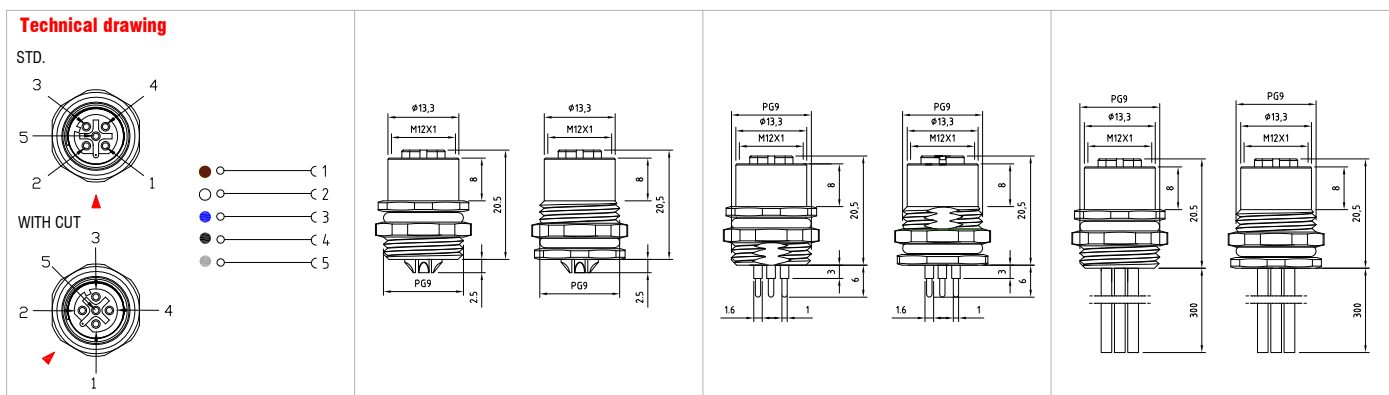
Packaging	Not defined		Not defined		Not defined	
Qty/Bag	Not defined		Not defined		Not defined	

Other accessories options
See accessories section

Notes:
Connectors available with different features:
See the general features and codification scheme page
See the cables list section

M12 CIRCULAR CONNECTORS

Panel mount - D-coded



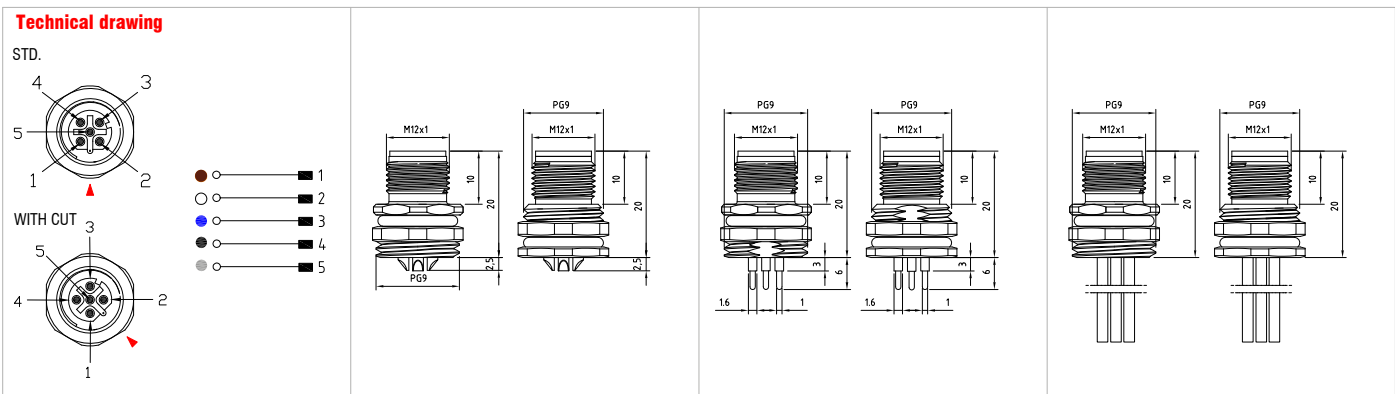
Product description						
Connector type	Circular connector panel mount		Circular connector panel mount		Circular connector panel mount	
Conforms to	IEC 61076-2-101		IEC 61076-2-101		IEC 61076-2-101	
Construction type	M12 D-Coded		M12 D-Coded		M12 D-Coded	
Description	Circular connector M12 series,D-coded, panel mount		Circular connector M12 series,D-coded,panel mount,with contacts suitable for solder PCB.		Circular connector M12 series,D-coded,panel mount,with PVC soldered wires.	
Part number	D-12FP5000-PG9	D-12FR5000-PG9	D-12FQ5000-PG9-CUT	D-12FS5000-PG9-CUT	D-12FP5A0C-PG9	D-12FR5A0C-PG9
Housing type	Frontal panel side	Back panel side	Frontal panel side	Back panel side	Frontal panel side	Back panel side
Cable gland	Female		Female		Female	
Contacts type	5poles		5poles		5poles	
Fixing thread	PG9		PG9 + CUT		PG9	
Cut size	-		13.3mm		-	

Technical data			
Type of termination	Contacts to solder wires		Contacts suitable for solder PCB
Contacts material	Brass + Gold flash		Brass + Gold flash
Coupling nut type	Brass + Nickel plated		Brass + Nickel plated
M12 coupling nut material	Brass + Nickel plated (SW17)		Brass + Nickel plated (SW17)
M12 coupling nut torque	0.4 N*m		0.4 N*m
Rated voltage	60V AC / DC		60V AC / DC
Rated current	4A		4A
O-ring material	NBR		NBR
Cable type	-		PVC
No. Conductors / Section	-		5 x 0.25mm ²
Conductor colours	-		Brown; White; Blue; Black; Grey
Cable diameter	-		-
Cable length	-		0.3m

Packaging			
Qty/Bag	Not defined		Not defined

Other accessories options
See accessories section

Notes:
Connectors available with different features:
See the general features and codification scheme page
See the cables list section



Product description						
Connector type	Circular connector panel mount		Circular connector panel mount		Circular connector panel mount	
Conforms to	IEC 61076-2-101		IEC 61076-2-101		IEC 61076-2-101	
Construction type	M12 D-Coded		M12 D-Coded		M12 D-Coded	
Description	Circular connector M12 series,D-coded, panel mount		Circular connector M12 series,D-coded,panel mount,with contacts suitable for solder PCB.		Circular connector M12 series,D-coded,panel mount,with PVC soldered wires.	
Part number	D-12MP5000-PG9	D-12MR5000-PG9	D-12MQ5000-PG9-CUT	D-12MS5000-PG9-CUT	D-12MP5A0C-PG9	D-12MR5A0C-PG9
Housing type	Frontal panel side	Back panel side	Frontal panel side	Back panel side	Frontal panel side	Back panel side
Cable gland	Male		Male		Male	
Contacts type	5poles		5poles		5poles	
Fixing thread	PG9		PG9 + CUT		PG9	
Cut size	-		13.3mm		-	

Technical data			
Type of termination	Contacts to solder wires		Contacts suitable for solder PCB
Contacts material	Brass + Gold flash		Brass + Gold flash
Coupling nut type	Brass + Nickel plated		Brass + Nickel plated
M12 coupling nut material	Brass + Nickel plated (SW17)		Brass + Nickel plated (SW17)
M12 coupling nut torque	0.4 N*m		0.4 N*m
Rated voltage	60V AC / DC		60V AC / DC
Rated current	4A		4A
O-ring material	NBR		NBR
Cable type	-		PVC
No. Conductors / Section	-		5 x 0.25mm ²
Conductor colours	-		Brown; White; Blue; Black; Grey
Cable diameter	-		-
Cable length	-		0.3m

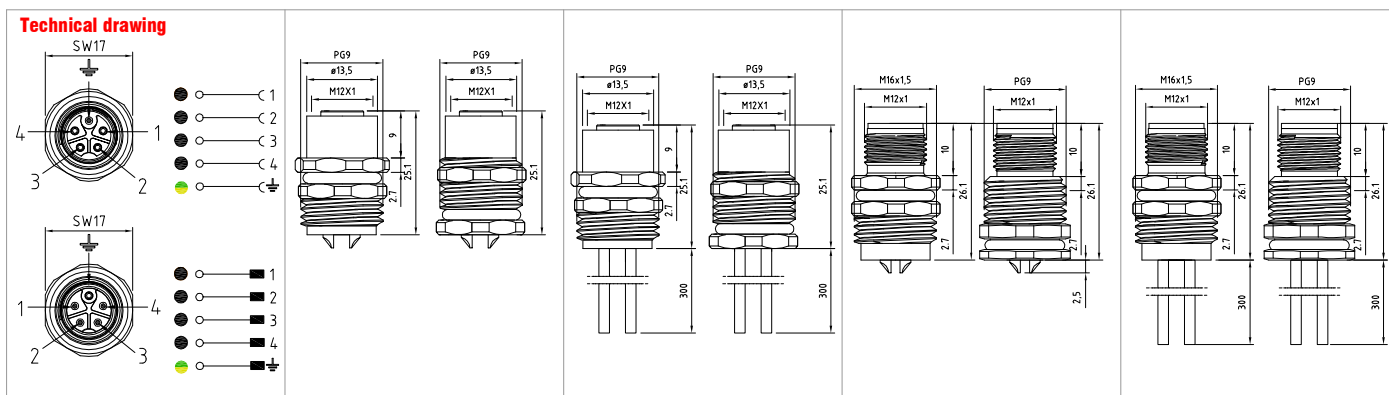
Packaging			
Qty/Bag	Not defined		Not defined

Other accessories options
See accessories section

Notes:
Connectors available with different features:
See the general features and codification scheme page

M12 CIRCULAR CONNECTORS

Panel mount - K-coded



Product description

Connector type	Circular connector panel mount		Circular connector panel mount		Circular connector panel mount		Circular connector panel mount	
Conforms to	IEC 61076-2-111		IEC 61076-2-111		IEC 61076-2-111		IEC 61076-2-111	
Construction type	M12 K-Coded		M12 K-Coded		M12 K-Coded		M12 K-Coded	
Description	Circular connector M12 series K-coded, panel mount		Circular connector M12 series panel mount with PVC soldered wires		Circular connector M12 series K-coded, panel mount		Circular connector M12 series panel mount with PVC soldered wires	
Part number	K-12FP5000-PG9	K-12FR5000-PG9	K-12FP5460C-PG9	K-12FR5460C-PG9	K-12MP5000-PG9	K-12MR5000-PG9	K-12MP5460C-PG9	K-12MR5460C-PG9
Housing type	Frontal panel side	Back panel side	Frontal panel side	Back panel side	Frontal panel side	Back panel side	Frontal panel side	Back panel side
Contacts type	Female		Female		Male		Male	
Number of contacts	4poles + P.E.		4poles + P.E.		4poles + P.E.		4poles + P.E.	
Fixing thread	PG9		PG9		PG9		PG9	
Cut size	-		-		-		-	

Technical data

Type of termination	Contacts to solder wires		Contacts to solder wires		Contacts to solder wires		Contacts to solder wires	
Contacts material	Brass + Gold flash		Brass + Gold flash		Brass + Gold flash		Brass + Gold flash	
Housing material	Brass + Nickel plated		Brass + Nickel plated		Brass + Nickel plated		Brass + Nickel plated	
Mobile coupling nut material	Brass + Nickel plated (SW17)		Brass + Nickel plated (SW17)		Brass + Nickel plated (SW17)		Brass + Nickel plated (SW17)	
M12 coupling nut torque	0.4 N*m		0.4 N*m		0.4 N*m		0.4 N*m	
Rated voltage	630V AC		630V AC		630V AC		630V AC	
Rated current	12A		12A		12A		12A	
O-ring material	NBR		NBR		NBR		NBR	
Cable type	-		PVC		-		PVC	
No. Conductors / Section	-		4x1.5mm ²		-		4x1.5mm ²	
Conductor colours	-		Bk 1; Bk 2; Bk 3; Bk 4; Yellow/Green		-		Bk 1; Bk 2; Bk 3; Bk 4; Yellow/Green	
Cable diameter	-		-		-		-	
Cable length	-		0.3m		-		0.3m	

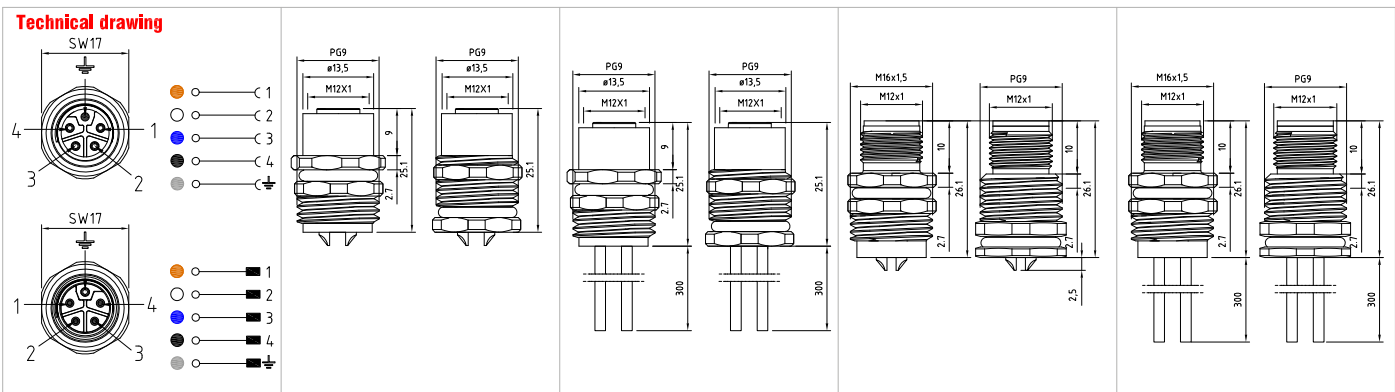
Packaging

Qty/Bag	Not defined		Not defined		Not defined		Not defined	
---------	-------------	--	-------------	--	-------------	--	-------------	--

Other accessories options

See accessories section

Notes:



Product description								
Connector type	Circular connector panel mount		Circular connector panel mount		Circular connector panel mount		Circular connector panel mount	
Conforms to	IEC 61076-2-111		IEC 61076-2-111		IEC 61076-2-111		IEC 61076-2-111	
Construction type	M12 L-Coded		M12 L-Coded		M12 L-Coded		M12 L-Coded	
Description	Circular connector M12 series L-coded, panel mount		Circular connector M12 series panel mount with PVC soldered wires		Circular connector M12 series L-coded, panel mount		Circular connector M12 series panel mount with PVC soldered wires	
Part number	L-12FP5000-PG9	L-12FR5000-PG9	L-12FP5730C-PG9	L-12FR5730C-PG9	L-12MP5000-PG9	L-12MR5000-PG9	L-12MP5730C-PG9	L-12MR5730C-PG9
Housing type	Frontal panel side	Back panel side	Frontal panel side	Back panel side	Frontal panel side	Back panel side	Frontal panel side	Back panel side
Contacts type	Female		Female		Male		Male	
Number of contacts	4poles + F.E.		4poles + F.E.		4poles + F.E.		4poles + F.E.	
Fixing thread	PG9		PG9		PG9		PG9	
Cut size	-		-		-		-	

Technical data								
Type of termination	Contacts to solder wires		Contacts to solder wires		Contacts to solder wires		Contacts to solder wires	
Contacts material	Brass + Gold flash		Brass + Gold flash		Brass + Gold flash		Brass + Gold flash	
Housing material	Brass + Nickel plated		Brass + Nickel plated		Brass + Nickel plated		Brass + Nickel plated	
Mobile coupling nut material	Brass + Nickel plated (SW17)		Brass + Nickel plated (SW17)		Brass + Nickel plated (SW17)		Brass + Nickel plated (SW17)	
M12 coupling nut torque	0.4 N*m		0.4 N*m		0.4 N*m		0.4 N*m	
Rated voltage	63V DC		63V DC		63V DC		63V DC	
Rated current	16A		16A		16A		16A	
O-ring material	NBR		NBR		NBR		NBR	
Cable type	-		PVC		-		PVC	
No. Conductors / Section	-		4x1.5mm ²		-		4x1.5mm ²	
Conductor colours	-		Brown; White; Blue; Black; Grey		-		Brown; White; Blue; Black; Grey	
Cable diameter	-		-		-		-	
Cable length	-		0.3m		-		0.3m	

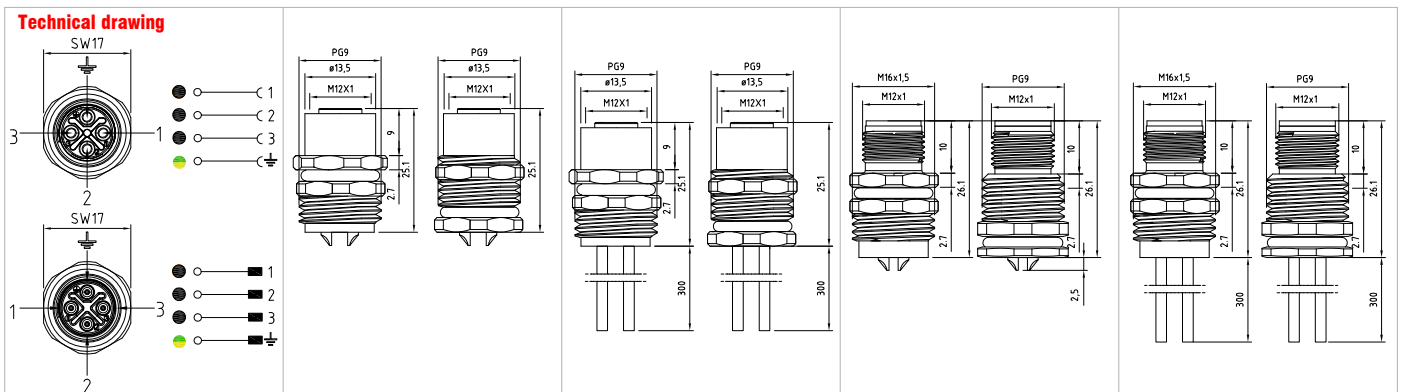
Packaging								
Qty/Bag	Not defined		Not defined		Not defined		Not defined	

Other accessories options
See accessories section

Notes:

M12 CIRCULAR CONNECTORS

Panel mount - S-coded



Product description		Circular connector panel mount		Circular connector panel mount		Circular connector panel mount		Circular connector panel mount	
Connector type	Circular connector panel mount	Circular connector panel mount	Circular connector panel mount	Circular connector panel mount	Circular connector panel mount	Circular connector panel mount	Circular connector panel mount	Circular connector panel mount	Circular connector panel mount
Conforms to	IEC 61076-2-101	IEC 61076-2-101	IEC 61076-2-101	IEC 61076-2-101	IEC 61076-2-101	IEC 61076-2-101	IEC 61076-2-101	IEC 61076-2-101	IEC 61076-2-101
Construction type	M12 S-Coded	M12 S-Coded	M12 S-Coded	M12 S-Coded	M12 S-Coded	M12 S-Coded	M12 S-Coded	M12 S-Coded	M12 S-Coded
Description	Circular connector M12 series S-coded, panel mount	Circular connector M12 series panel mount with TPO soldered wires	Circular connector M12 series panel mount with TPO soldered wires	Circular connector M12 series S-coded, panel mount	Circular connector M12 series S-coded, panel mount	Circular connector M12 series S-coded, panel mount	Circular connector M12 series S-coded, panel mount	Circular connector M12 series panel mount with TPO soldered wires	Circular connector M12 series panel mount with TPO soldered wires
Part number	S-12FP4000-PG9 S-12FR4000-PG9	S-12FP4810C-PG9 S-12FR4810C-PG9	S-12FP4810C-PG9 S-12FR4810C-PG9	S-12MP4000-PG9 S-12MR4000-PG9	S-12MP4000-PG9 S-12MR4000-PG9	S-12MP4810C-PG9 S-12MR4810C-PG9	S-12MP4810C-PG9 S-12MR4810C-PG9	S-12MP4810C-PG9 S-12MR4810C-PG9	S-12MP4810C-PG9 S-12MR4810C-PG9
Housing type	Frontal panel side Back panel side	Frontal panel side Back panel side	Frontal panel side Back panel side	Frontal panel side Back panel side	Frontal panel side Back panel side	Frontal panel side Back panel side	Frontal panel side Back panel side	Frontal panel side Back panel side	Frontal panel side Back panel side
Contacts type	Female	Female	Female	Male	Male	Male	Male	Male	Male
Number of contacts	3poles + P.E.	3poles + P.E.	3poles + P.E.	3poles + P.E.	3poles + P.E.	3poles + P.E.	3poles + P.E.	3poles + P.E.	3poles + P.E.
Fixing thread	PG9	PG9	PG9	PG9	PG9	PG9	PG9	PG9	PG9
Cut size	-	-	-	-	-	-	-	-	-

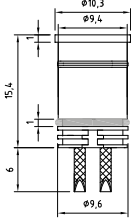

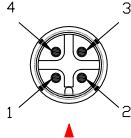
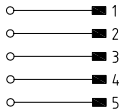
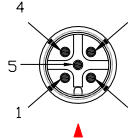
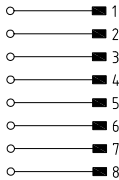
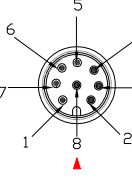
Technical data		Contacts to solder wires		Contacts to solder wires		Contacts to solder wires		Contacts to solder wires	
Type of termination	Contacts to solder wires	Contacts to solder wires	Contacts to solder wires	Contacts to solder wires	Contacts to solder wires	Contacts to solder wires	Contacts to solder wires	Contacts to solder wires	Contacts to solder wires
Contacts material	Brass + Gold flash	Brass + Gold flash	Brass + Gold flash	Brass + Gold flash	Brass + Gold flash	Brass + Gold flash	Brass + Gold flash	Brass + Gold flash	Brass + Gold flash
Housing material	Brass + Nickel plated	Brass + Nickel plated	Brass + Nickel plated	Brass + Nickel plated	Brass + Nickel plated	Brass + Nickel plated	Brass + Nickel plated	Brass + Nickel plated	Brass + Nickel plated
Mobile coupling nut material	Brass + Nickel plated (SW17)	Brass + Nickel plated (SW17)	Brass + Nickel plated (SW17)	Brass + Nickel plated (SW17)	Brass + Nickel plated (SW17)	Brass + Nickel plated (SW17)	Brass + Nickel plated (SW17)	Brass + Nickel plated (SW17)	Brass + Nickel plated (SW17)
M12 coupling nut torque	0.4 N*m	0.4 N*m	0.4 N*m	0.4 N*m	0.4 N*m	0.4 N*m	0.4 N*m	0.4 N*m	0.4 N*m
Rated voltage	630V AC	630V AC	630V AC	630V AC	630V AC	630V AC	630V AC	630V AC	630V AC
Rated current	12A	12A	12A	12A	12A	12A	12A	12A	12A
O-ring material	NBR	NBR	NBR	NBR	NBR	NBR	NBR	NBR	NBR
Cable type	-	TPO	TPO	-	-	-	-	TPO	TPO
No. Conductors / Section	-	4x1.5mm ²	4x1.5mm ²	-	-	-	-	4x1.5mm ²	4x1.5mm ²
Conductor colours	-	Black 1; Black 2; Black 3; Yellow/Green	Black 1; Black 2; Black 3; Yellow/Green	-	-	-	-	Black 1; Black 2; Black 3; Yellow/Green	Black 1; Black 2; Black 3; Yellow/Green
Cable diameter	-	-	-	-	-	-	-	-	-
Cable length	-	0.3m	0.3m	-	-	-	-	0.3m	0.3m

Packaging		Not defined		Not defined					
Qty/Bag	Not defined	Not defined	Not defined	Not defined	Not defined	Not defined	Not defined	Not defined	Not defined

Other accessories options
See accessories section

Notes:



Technical drawing			
	 	 	 
Product description			
Connector type	Internal core	Internal core	Internal core
Conforms to	IEC 61076-2-101	IEC 61076-2-101	IEC 61076-2-101
Construction type	M12 A-Coded	M12 A-Coded	M12 A-Coded
Description	Internal core of circular connector M12 series, panel mount	Internal core of circular connector M12 series, panel mount	Internal core of circular connector M12 series, panel mount
Part number	12MN4000	12MN5000	12MN8000
Internal core housing type	Connector panel mount	Connector panel mount	Connector panel mount
Contacts type	Male	Male	Male
Number of contacts	4poles	5poles	8poles
Technical data			
Type of termination	Contacts to solder wires	Contacts to solder wires	Contacts to solder wires
Contacts material	Brass + Gold flash	Brass + Gold flash	Brass + Gold flash
Internal core housing material	PA66	PA66	PA66
Rated voltage	250V AC / DC	60V AC / DC	30V AC / DC
Rated current	4A	4A	2A
O-ring material	NBR	NBR	NBR
Cable type	-	-	-
No. Conductors / Section	-	-	-
Conductor colours	-	-	-
Cable diameter	-	-	-
Cable length			
Packaging			
Qty/Bag	Not defined	Not defined	Not defined
Other accessories options			
See accessories section			
Notes:			
Connectors available with different features: See the general features and codification scheme page See the cables list section			

M12 CIRCULAR CONNECTORS

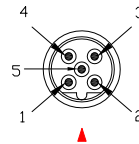
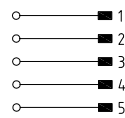
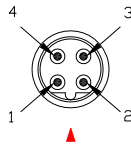
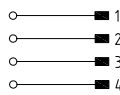
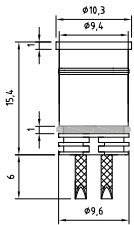
Internal cores - A-coded



Technical drawing				
Product description				
Connector type	Internal core	Internal core	Internal core	Internal core
Conforms to	IEC 61076-2-101	IEC 61076-2-101	IEC 61076-2-101	IEC 61076-2-101
Construction type	M12 A-Coded	M12 A-Coded	M12 A-Coded	M12 A-Coded
Description	Internal core of circular connector M12 series,panel mount	Internal core of circular connector M12 series,panel mount	Internal core of circular connector M12 series,panel mount	Internal core of circular connector M12 series,panel mount
Part number	12FN4000	12FN5000	12FN8000	
Internal core housing type	Connector panel mount	Connector panel mount	Connector panel mount	
Contacts type	Female	Female	Female	
Number of contacts	4poles	5poles	8poles	
Technical data				
Type of termination	Contacts to solder wires	Contacts to solder wires	Contacts to solder wires	
Contacts material	Brass + Gold flash	Brass + Gold flash	Brass + Gold flash	
Internal core housing material	PA66	PA66	PA66	
Rated voltage	250V AC / DC	60V AC / DC	30V AC / DC	
Rated current	4A	4A	2A	
O-ring material	NBR	NBR	NBR	
Cable type	-	-	-	
No. Conductors / Section	-	-	-	
Conductor colours	-	-	-	
Cable diameter	-	-	-	
Cable length	-	-	-	
Packaging				
Qty/Bag	Not defined	Not defined	Not defined	
Other accessories options				
See accessories section				
Notes:				
Connectors available with different features: See the general features and codification scheme page See the cables list section				



Technical drawing



Product description

Connector type	Internal core	Internal core
Conforms to	IEC 61076-2-101	IEC 61076-2-101
Construction type	M12 B-Coded	M12 B-Coded
Description	Internal core of circular connector M12 series, B-coded, panel mount	Internal core of circular connector M12 series, B-coded, panel mount
Part number	B-12MN4000	B-12MN5000
Internal core housing type	Connector panel mount	Connector panel mount
Contacts type	Male	Male
Number of contacts	4poles	5poles

Technical data

Type of termination	Contacts to solder wires	Contacts to solder wires
Contacts material	Brass + Gold flash	Brass + Gold flash
Internal core housing material	PA66	PA66
Rated voltage	250V AC / DC	60V AC / DC
Rated current	4A	4A
O-ring material	NBR	NBR
Cable type	-	-
No. Conductors / Section	-	-
Conductor colours	-	-
Cable diameter	-	-
Cable length		

Packaging

Qty/Bag	Not defined	Not defined
---------	-------------	-------------

Other accessories options

See accessories section

Notes:

Connectors available with different features:
See the general features and codification scheme page
See the cables list section

M12 CIRCULAR CONNECTORS

Internal cores - B-coded



Technical drawing			
Product description			
Connector type	Internal core	Internal core	
Conforms to	IEC 61076-2-101	IEC 61076-2-101	
Construction type	M12 B-Coded	M12 B-Coded	
Description	Internal core of circular connector M12 series, B-coded, panel mount	Internal core of circular connector M12 series, B-coded, panel mount	
Part number	B-12FN4000	B-12FN5000	
Internal core housing type	Connector panel mount	Connector panel mount	
Contacts type	Female	Female	
Number of contacts	4poles	5poles	
Technical data			
Type of termination	Contacts to solder wires	Contacts to solder wires	
Contacts material	Brass + Gold flash	Brass + Gold flash	
Internal core housing material	PA66	PA66	
Rated voltage	250V AC / DC	60V AC / DC	
Rated current	4A	4A	
O-ring material	NBR	NBR	
Cable type	-	-	
No. Conductors / Section	-	-	
Conductor colours	-	-	
Cable diameter	-	-	
Cable length	-	-	
Packaging			
Qty/Bag	Not defined	Not defined	
Other accessories options			
See accessories section			
Notes:			
Connectors available with different features: See the general features and codification scheme page See the cables list section			